



FLANGE TOOL INNOVATION

PRODUCT DATA SHEET

SW9TM

MECHANICAL FLANGE SPREADER

SPREADING FORCE:

With 203 N·m (150 ft·lb) of torque applied: 9.4 T (94 kN)

It is recommended that tools are used in pairs giving:
 $2 \times 9.4 \text{ T} = 18.8 \text{ T} (188 \text{ kN})$

TOOL WEIGHT: 5.5 kg (12.1 lb)

KIT CONTENTS

- 1 x SW9TM Wedgehead
- 1 x 203 N·m (150 ft·lb) Torque Wrench with 22 mm socket
- 1 x Safety Block
- 1 x Pair of Stepped Blocks
- 1 x Hex Key
- 1 x Instruction Manual
- 1 x Cardboard Packaging

Product Code: SW90TMSPB

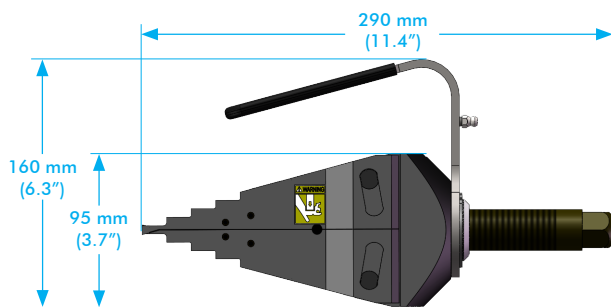


WEIGHTS AND DIMENSIONS

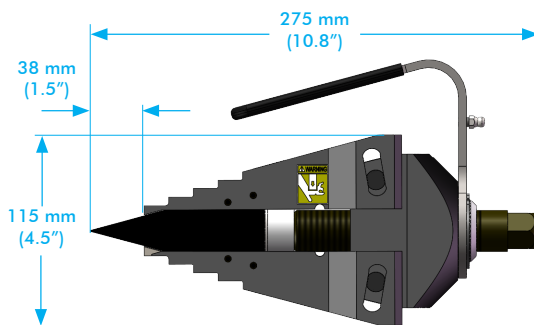
- Tool Weight: 5.5 kg (12.1 lb)
- Torque Wrench: 1.5 kg (3.3 lb)
- Safety Block: 0.5 kg (1.1 lb)
- Gross Kit Weight: 7.5 kg (16.5 lb)

Packaging Dimensions:
 190 mm x 180 mm x 320 mm
 (7.5" x 7.1" x 12.6")

TOOL DIMENSIONS - CLOSED



TOOL DIMENSIONS - OPEN



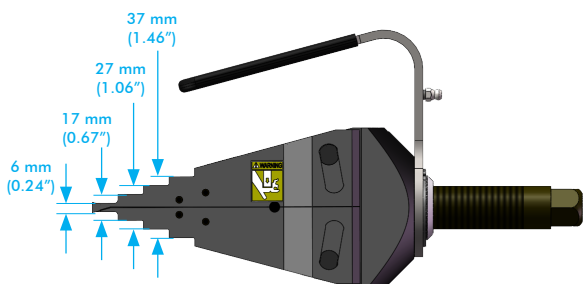
SW9TM

MECHANICAL FLANGE SPREADER

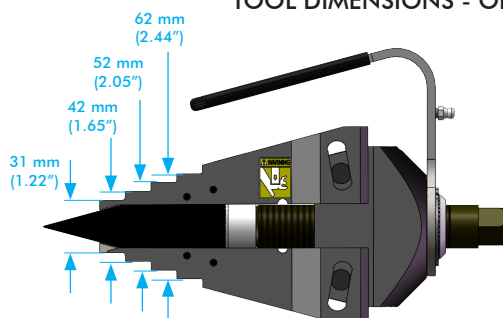


FLANGE TOOL INNOVATION

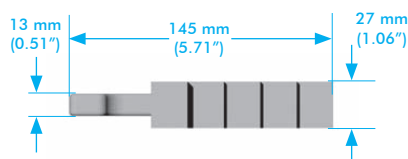
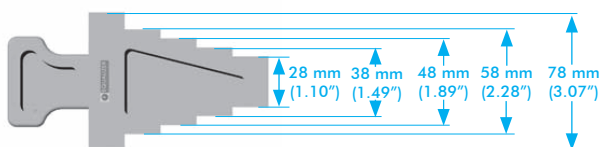
TOOL DIMENSIONS - CLOSED



TOOL DIMENSIONS - OPEN



SAFETY BLOCK DIMENSIONS

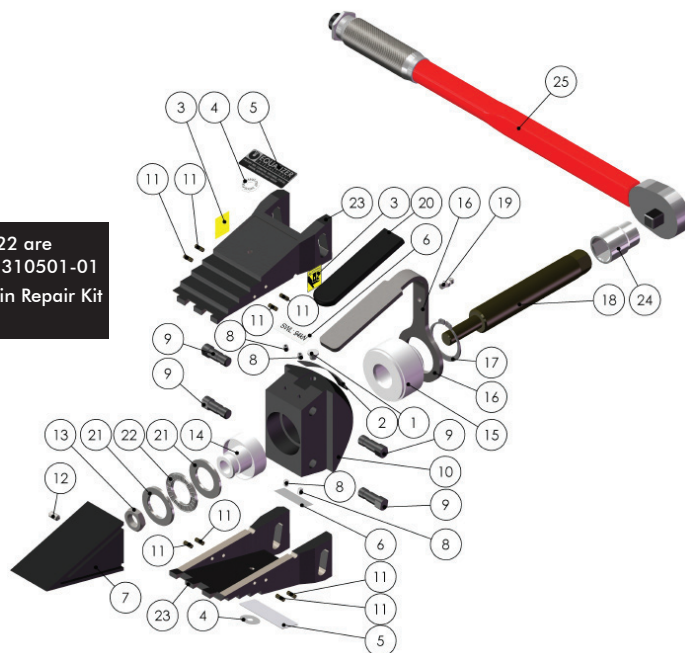


RANGE OF APPLICATION

All flanges with a minimum access gap of 6 mm (0.24")

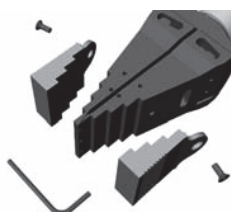
| ITEM | DESCRIPTION | QTY. |
|------|-----------------------------|-------------|
| 01 | WHITE PLASTIC CAP | 01 each |
| 02 | SERIAL NO STICKER | 01 each |
| 03 | PINCH POINT STICKER | 02 each |
| 04 | GREASE POINT STICKER | 02 each |
| 05 | BADGE LOGO | 02 each |
| 06 | SWL STICKER | 02 each |
| 07 | WEDGE | 01 each |
| 08* | M5x6 SCKT SCREW | 01 set of 4 |
| 09* | SLIDE PIN | 01 set of 4 |
| 10 | MAIN BODY (not replaceable) | 01 each |
| 11 | SPIRAL PIN | 01 set of 8 |
| 12* | M6x12 GRUB SCREW | 01 each |
| 13* | M14 HALF NUT | 01 each |
| 14* | BEARING CARRIER | 01 each |
| 15 | M/F ADAPTOR | 01 each |
| 16 | HANDLE | 01 each |
| 17 | EXTERNAL CIRCLIP | 01 each |
| 18* | PUSH ROD | 01 each |
| 19 | M6 GREASE NIPPLE | 01 each |
| 20 | HANDLE SLEEVE | 01 each |
| 21* | THRUST WASHER | 02 each |
| 22* | THRUST RACE | 01 each |
| 23 | JAW (PAIR) | 01 pair |
| 24 | 22mm 1/2" SOCKET | 01 each |
| 25 | TORQUE WRENCH | 01 each |

*Items 8, 9, 12, 13, 21 & 22 are supplied in Repair Kit Part No: 310501-01
*Items 14 & 18 are supplied in Repair Kit Part No: 310502-01



STEPPED BLOCKS

Stepped Blocks can be used singly or in pairs to increase the maximum spreading distance of the SW9TM to 81 mm



WEIGHTS AND DIMENSIONS

Stepped Block: 0.52 kg (1.1 lb)
GROSS WEIGHT: 1.5 kg (3.3 lb)

