



FLANGE TOOL INNOVATION

PRODUCT DATA SHEET

SW15TD

DOUBLE ACTING HYDRAULIC FLANGE SPREADER

SPREADING FORCE:

With 700 bar (10 000 psi) of hydraulic pressure applied:
15 T (150 kN)

It is recommended that tools are used in pairs giving:
 $2 \times 15 \text{ T} = 30 \text{ T}$ (300 kN)

TOOL WEIGHT: 8.5 kg (18.7 lb)

KIT COMPONENTS

- 1 x SW15TD Wedgehead
- 1 x 700 bar (10 000 psi) Double Acting Hydraulic Cylinder
- 1 x Safety Block
- 1 x Pair of Stepped Blocks
- 1 x Hex Key
- 1 x Instruction Manual
- 1 x Carry-Case

Product Code: SW15TDMINSPB



WEIGHTS AND DIMENSIONS

Wedge with Double Acting Hydraulic Cylinder:

Carry-Case:

Gross Kit Weight:

9 kg (19.8 lb)

2.5 kg (5.5 lb)

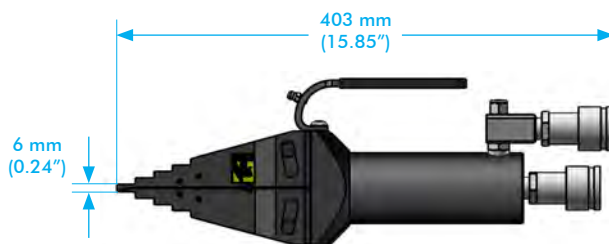
14 kg (30.9 lb)

Carry-Case Dimensions:

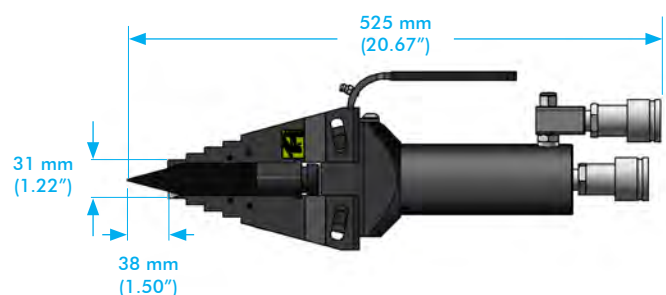
580 mm x 340 mm x 180 mm

(22.8" x 13.4" x 7.1")

TOOL DIMENSIONS - CLOSED



TOOL DIMENSIONS - OPEN



info@equalizerinternational.com
www.equalizerinternational.com

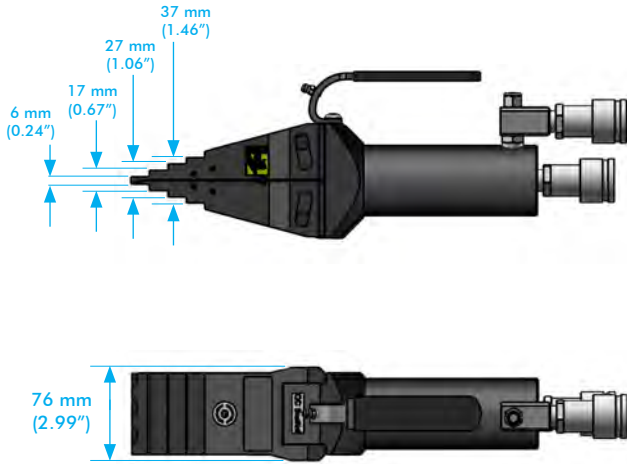
SW15TD

DOUBLE ACTING HYDRAULIC FLANGE SPREADER



FLANGE TOOL INNOVATION

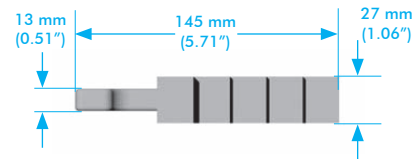
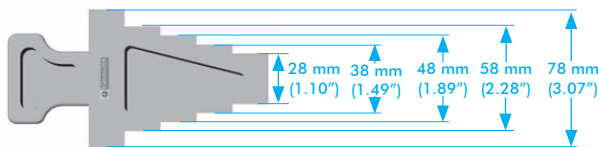
TOOL DIMENSIONS - CLOSED



TOOL DIMENSIONS - OPEN



SAFETY BLOCK DIMENSIONS

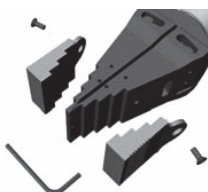


RANGE OF APPLICATION

All flanges with a minimum access gap of 6 mm (0.24")

STEPPED BLOCKS

Stepped Blocks can be used singly or in pairs to increase the maximum spreading distance of the SW15TD to 81 mm



WEIGHTS AND DIMENSIONS

Stepped Block: 0.52 kg (1.1 lb)
GROSS WEIGHT: 1.5 kg (3.3 lb)

