



FLANGE TOOL INNOVATION

PRODUCT DATA SHEET

SG6™

SECURE-GRIP MECHANICAL FLANGE SPREADER

SPREADING FORCE:

With 108 N·m (80 ft·lb) of torque applied: 6 T (60 kN)
It is recommended that tools are used in pairs giving:

$$2 \times 6 \text{ T} = 12 \text{ T (120 kN)}$$

SPREADING DISTANCE: up to 80 mm (3.15")

TOOL WEIGHT: 7.5 kg (16.5 lb)

KIT CONTENTS

- 1 x SG6™ Tool
- 1 x 150 mm (6") Vernier Calliper
- 1 x 3/8" Drive Torque Wrench and 21 mm Socket
- 1 x Safety Block
- 2 x M24 (7/8") Collets
- 2 x M27 (1") Collets
- 1 x Instruction Manual
- 1 x Carry Case with protective foam inserts

Product Code: SG6™MSTD

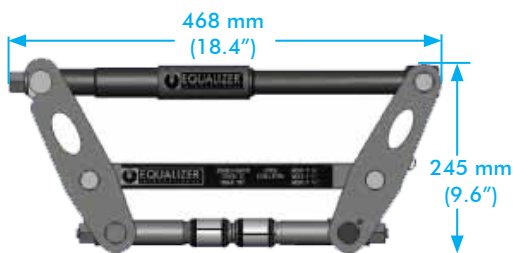


WEIGHTS AND DIMENSIONS

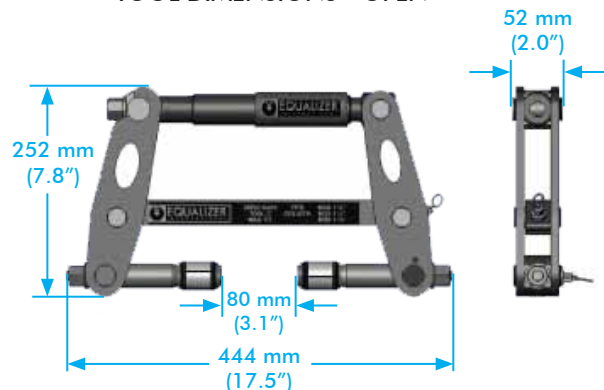
Carry Case:

640 mm x 540 mm x 165 mm (25.20" x 21.26" x 6.50")

TOOL DIMENSIONS - CLOSED



TOOL DIMENSIONS - OPEN



Tool Weight: 7.5 kg (16.5 lb)

Gross Kit Weight: 16 kg (35.3 lb)

info@equalizerinternational.com
www.equalizerinternational.com

RANGE OF APPLICATION

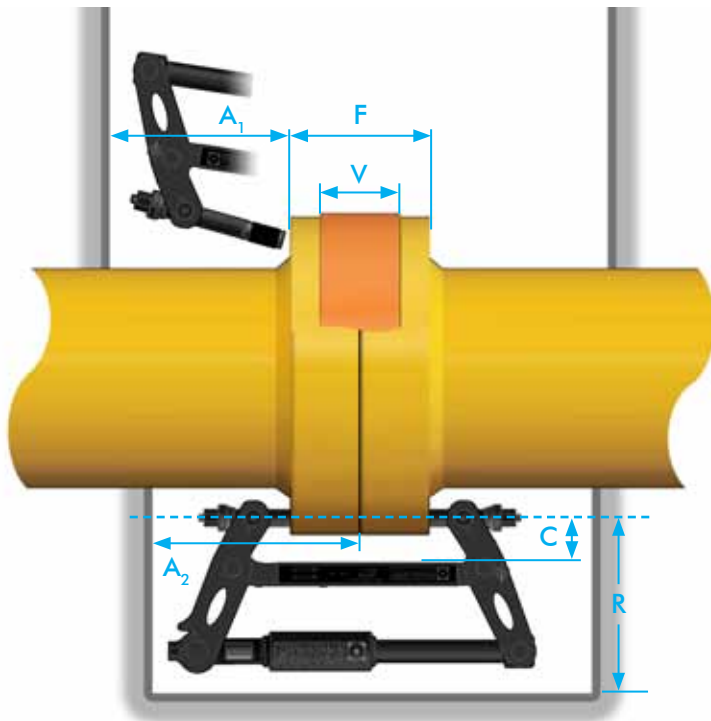
The SG6™ is usable on all standard flanges that have been specified to accept the following bolt sizes:

M24, M27, 7/8", 1"

This includes ANSI, DIN, SPO, ASME, API and BS flanges.

For a detailed range of application please request the Secure-Grip Mechanical Operator Instruction Manual.

SPATIAL ENVELOPE



*Short Collet Holder Kits (SCH) are available which can offer improved range of application.

** Collet Holders can also be dismantled and inserted through bolt-holes from opposite side.

Contact Equalizer International if your application does not appear to suit standard tools.

	DIMENSION	MEASURED FROM	MEASURED TO	MINIMUM	MAXIMUM
F	Flange Joint Thickness	Outside Face of Flange	Outside Face of Flange	60 mm (2.4")	210 mm (8.3")
V	Valve/Spacer Thickness	Inside Face of Flange	Inside Face of Flange	*0.0 mm (0.0")	* 50 mm (2.0")
C	Flange Clearance	Bolt-Hole Circle	Largest OD of Valve/Spacer	-	55 mm (2.2")
R	Radial space	Bolt-Hole Circle	Closest Obstruction	230 mm (9.1")	-
A ₁	Axial space (for installation)	Outside Face of Flange	Closest Obstruction	**200 mm (7.9")	-
A ₂	Axial space (installed)	Inner Face of Flange	Closest Obstruction	234 mm (9.2")	-