



FLANGE TOOL INNOVATION

## PRODUCT DATA SHEET

HP350SD  
HP550SD  
HP1000SD

### HYDRAULIC DOUBLE-ACTING SEALED HAND-PUMP

MAX PRESSURE RATING:

1st Stage: 13.8 bar (197 psi)

2nd Stage: 700 bar (10 000 psi)

### TOOL DESCRIPTION

The Hydraulic Double-Acting Hand-Pump range has an output regulated to 700 bar (10 000 psi) delivered from a pair of output ports, each threaded 3/8" NPT. The pumps can be used with any 700 bar (10 000 psi) rated double-acting hydraulic equipment within their oil capacity specification. The diaphragm oil-reservoir design means that, unlike conventional units, the hand-pumps are operable at all angles and are highly resistant to accidental spillage of hydraulic fluid. For further details please request or download an instruction manual.

|                              | STAGE | HP350SD                          | HP550SD                          | HP1000SD                         |
|------------------------------|-------|----------------------------------|----------------------------------|----------------------------------|
| <b>PUMP TYPE</b>             |       | TWO SPEED                        | TWO SPEED                        | TWO SPEED                        |
| <b>PRESSURE RATING</b>       | 1st   | 13.8 bar (197 psi)               | 13.8 bar (197 psi)               | 13.8 bar (197 psi)               |
|                              | 2nd   | 700 bar (10 000 psi)             | 700 bar (10 000 psi)             | 700 bar (10 000 psi)             |
| <b>NOMINAL OIL CAPACITY</b>  |       | 350 cc (21.4 in <sup>3</sup> )   | 550 cc (33.6 in <sup>3</sup> )   | 1000 cc (61.0 in <sup>3</sup> )  |
| <b>USABLE OIL CAPACITY</b>   |       | 300 cc (18.3 in <sup>3</sup> )   | 580 cc (35.4 in <sup>3</sup> )   | 1110 cc (67.7 in <sup>3</sup> )  |
| <b>OIL VOLUME PER STROKE</b> | 1st   | 3.62 cc (0.221 in <sup>3</sup> ) | 3.62 cc (0.221 in <sup>3</sup> ) | 3.62 cc (0.221 in <sup>3</sup> ) |
|                              | 2nd   | 0.77 cc (0.047 in <sup>3</sup> ) | 0.77 cc (0.047 in <sup>3</sup> ) | 0.77 cc (0.047 in <sup>3</sup> ) |
| <b>MAX HANDLE EFFORT</b>     |       | 33 kgf (72.75 lbf)               | 25 kgf (55.12 lbf)               | 21 kgf (46.30 lbf)               |
| <b>PISTON STROKE</b>         |       | 18 mm (0.71")                    | 18 mm (0.71")                    | 18 mm (0.71")                    |



info@equalizerinternational.com  
www.equalizerinternational.com

# HP350SD | HP550SD | HP1000SD

HYDRAULIC DOUBLE-ACTING SEALED HAND-PUMP



FLANGE TOOL INNOVATION

## KIT COMPONENTS

### HP350SD

- 1 x HP350SD Pump Unit
- 1 x 700 bar (10 000 psi) Gauge
- 1x 3/8" Port Gauge Adaptor
- 1 x Instruction Manual
- 1 x Cardboard Packaging

Packaging Dimensions:  
250 mm x 180 mm x 600 mm  
(9.84" x 7.09" x 23.62")

Product Code: HP350SDMIN

### HP550SD

- 1 x HP550SD Pump Unit
- 1 x 700 bar (10 000 psi) Gauge
- 1 x 3/8" Port Gauge Adaptor
- 1 x Instruction Manual
- 1 x Cardboard Packaging

Packaging Dimensions:  
250 mm x 180 mm x 700 mm  
(9.84" x 7.09" x 27.56")

Product Code: HP550SDMIN

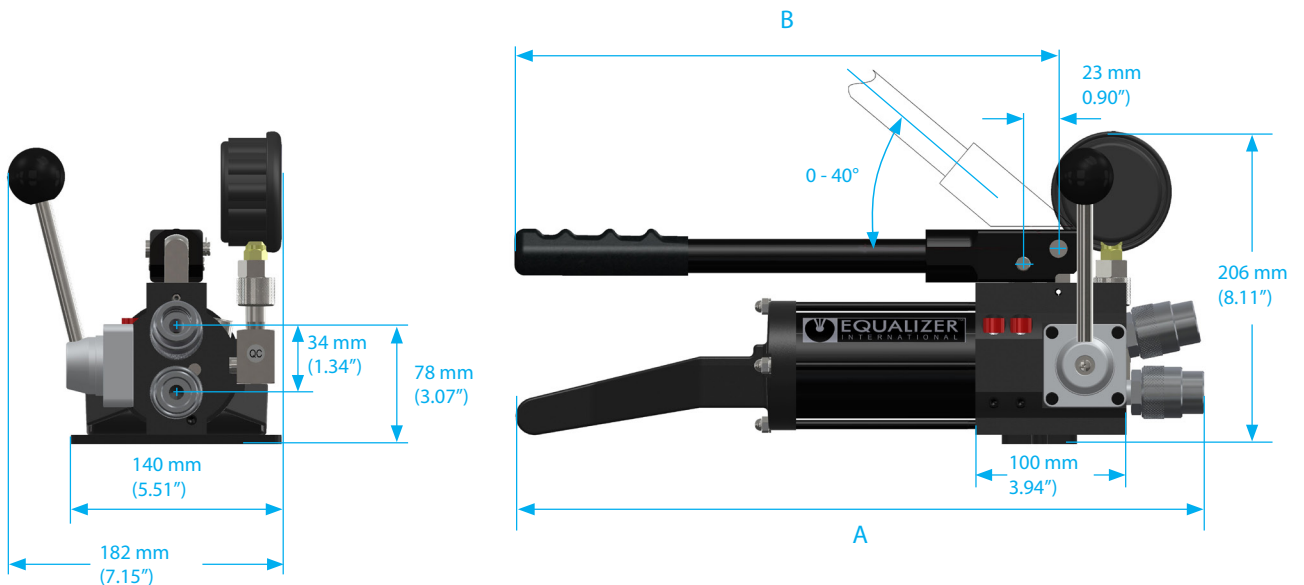
### HP1000SD

- 1 x HP1000SD Pump Unit
- 1 x 700 bar (10 000 psi) Gauge
- 1 x 3/8" Port Gauge Adaptor
- 1 x Instruction Manual
- 1 x Cardboard Packaging

Packaging Dimensions:  
250 mm x 180 mm x 900 mm  
(9.84" x 7.09" x 35.43")

Product Code: HP1000SDMIN

## WEIGHTS AND DIMENSIONS



|                           | HP350SD          | HP550SD          | HP1000SD         |
|---------------------------|------------------|------------------|------------------|
| <b>OVERALL LENGTH (A)</b> | 456 mm (17.95")  | 454 mm (17.87")  | 769 mm (30.28")  |
| <b>HANDLE LENGTH (B)</b>  | 360 mm (14.17")  | 490 mm (19.29")  | 537 mm (21.14")  |
| <b>PUMP WEIGHT</b>        | 5.3 kg (11.7 lb) | 5.7 kg (12.6 lb) | 5.9 kg (13.0 lb) |
| <b>GROSS KIT WEIGHT</b>   | 5.7 kg (12.6 lb) | 6.0 kg (13.2 lb) | 6.3 kg (13.9 lb) |