



ZG15TE

ZERO-GAP HYDRAULIC FLANGE SPREADER

SPREADING FORCE = 15 T (150 kN) per tool

It is recommended that tools are used in pairs giving
2 x 15 = 30 T (300 kN)

SPREADING DISTANCE = 0-100mm (0-3.94")

TOOL WEIGHT = 26 kg (57.3 lbs)

KIT COMPONENTS

- 1 x ZG15TE Tool c/w Hydraulic Cylinder
 - 1 x 10,000 psi (700 bar) HP350S Sealed Hand Pump with Gauge
 - 1 x 10,000 psi (700 bar) Hydraulic Hose, 2 m (78.75")
 - 1 x 300mm (12") Vernier Calliper
 - 1 x 1/2" Square Drive Flexible Handle
 - 1 x 36 mm Drive Socket
 - 1 x Safety Block
 - 2 x M48 (1 7/8") Collets
 - 2 x M52 (2") Collets
 - 2 x M56 (2 1/4") Collets
 - 1 x Instruction Manual
 - 1 x Carry-Case with Protective Foam Inserts
- Product Code: ZG15TESTD



WEIGHTS AND DIMENSIONS

TOOL WEIGHT = 26 kg (57.3 lbs)

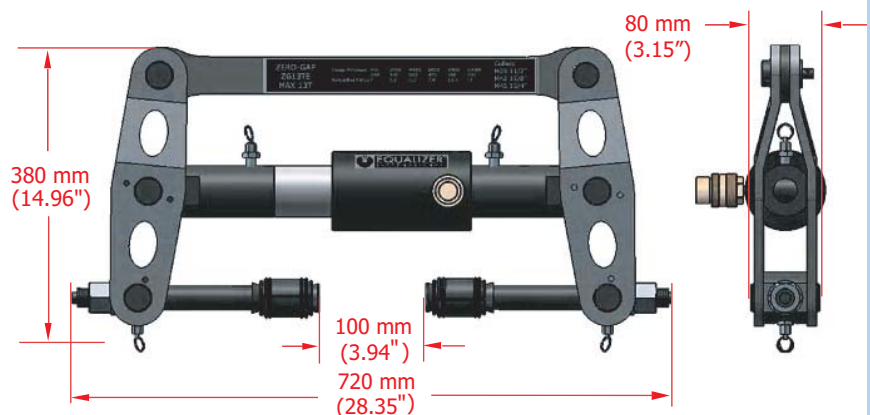
GROSS KIT WEIGHT = 45 kg (99.2 lbs)

Carry-Case Dimensions: 890 x 570 x 165 mm (35.04" x 22.44" x 6.50")

TOOL DIMENSIONS - CLOSED



TOOL DIMENSIONS - OPEN





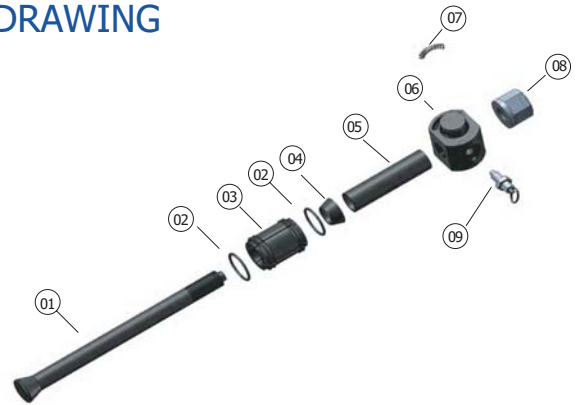
RANGE OF APPLICATION

The ZG15TE is useable on all standard flanges that have been specified to accept the following bolt sizes:
M48, M52, M56, 1 7/8", 2", 2 1/4".
This includes ANSI, DIN, SPO, ASME, API, and BS flanges.

For a detailed range of application please request the Zero-Gap Operator Instruction Manual.

COLLET HEAD PARTS LIST AND EXPLODED DRAWING

ITEM	DESCRIPTION	PART NO.	QUANTITY
01	COLLET HOLDER	650401-01	02
02	M48 SPRING RING	652201-04	04
	M52 SPRING RING	652401-04	04
	M56 SPRING RING	652601-04	04
03	M48 COLLET	650101-02	02
	M52 COLLET	650201-02	02
	M56 COLLET	650301-02	02
04	DRIVE CONE	650501-02	02
05	DRIVE TUBE	651601-02	02
06	COLLET UNION	650601-02	02
07	CENTRING SPRING 1	402201-02	02
08	COLLET NUT	650901-02	02
09	COLLET SPRING PLUNGER	641001-02	02



ZG15TE PARTS LIST AND EXPLODED DRAWING

ITEM	DESCRIPTION	PART NO.	QUANTITY
01	LEG RETAINING RING	641301-10	10
02	LEG	651101-04	04
03	M10 SPRING PLUNGER	900502-02	02
04	CANTILEVER	651501-01	01
05	ACTUATOR UNION	651901-02	02
06	ACTUATOR PIN	651401-02	02
07	PULL PIN	641701-01	01
08	SEE COLLET HEAD PART LIST		
09	CANTILEVER PIN	643201-01	01
10	ACTUATOR ASSEMBLY	644001-01	01

