



ZG11TM

ZERO-GAP MECHANICAL FLANGE SPREADER

SPREADING FORCE = 11 T (110 kN) per tool
 It is recommended that tools are used in pairs giving
 2 x 11 = 22 T (220 kN)
SPREADING DISTANCE = 0-90mm (0-3.55")

TOOL WEIGHT = 10.5 kg (23.2 lbs)

KIT COMPONENTS

- 1 x ZG11TM Tool
- 1 x 150 mm (5.91") Vernier Calliper
- 1 x 1/2" Drive Torque Wrench and Socket
- 1 x Safety Block
- 2 x M30 (1 1/8") Collets
- 2 x M33 (1 1/4") Collets
- 2 x M36 (1 3/8") Collets
- 1 x Instruction Manual
- 1 x Robust Carry Case with Protective Foam Inserts
- Kit Part No: 636363-01

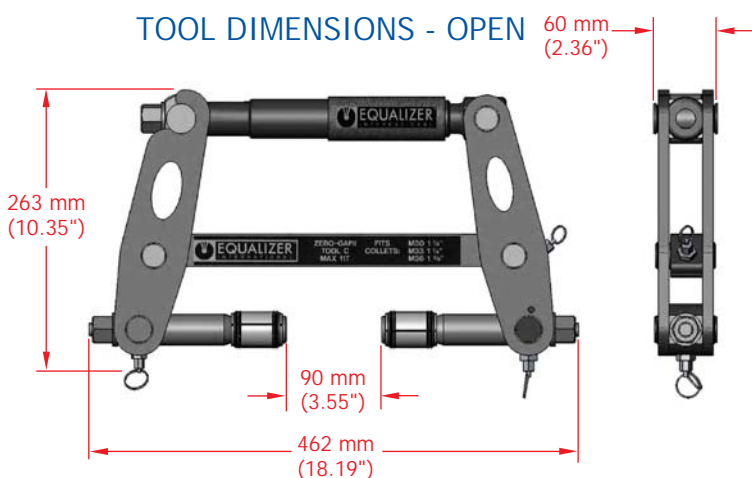


WEIGHTS AND DIMENSIONS

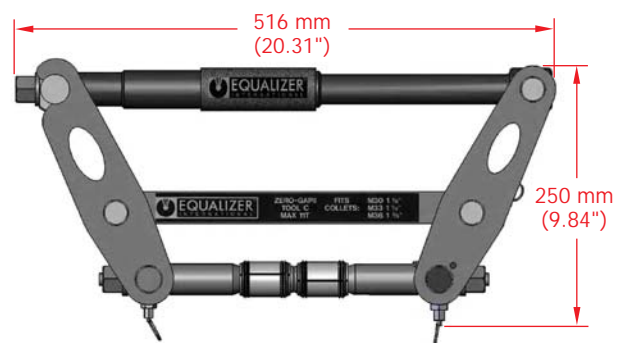
TOOL WEIGHT = 10.5 kg (23.2 lbs)
 GROSS KIT WEIGHT = 19 kg (42 lbs)

Carry Case Dimensions: 620 x 470 x 80 mm (24.41" x 18.5" x 3.15")

TOOL DIMENSIONS - OPEN



TOOL DIMENSIONS - CLOSED



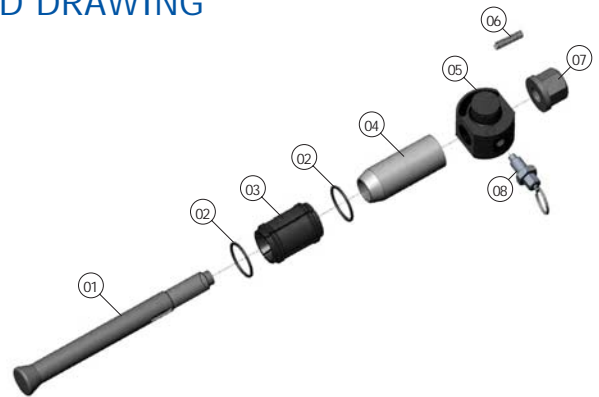
RANGE OF APPLICATION

The ZG11™ is useable on all standard flanges that have been specified to accept the following bolt sizes: M30, M33, M36, 1 1/8", 1 1/4", 1 1/2". This includes ANSI, DIN, SPO, ASME, API, and BS flanges.

For a detailed range of application please request the Zero-Gap Operator Instruction Manual.

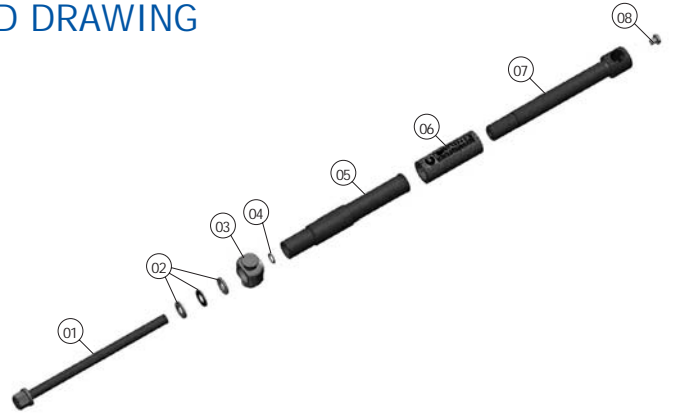
COLLET HEAD PARTS LIST AND EXPLODED DRAWING

ITEM	PART No.	DESCRIPTION	QUANTITY
01	630101	COLLET HOLDER	02
02	631001	M30 SPRING RING*	04
	631101	M33 SPRING RING*	04
	631201	M36 SPRING RING*	04
03	630201	M30 COLLET*	02
	630301	M33 COLLET*	02
	630401	M36 COLLET*	02
04	630501	DRIVE CONE	02
05	630601	COLLET UNION	02
06	630701	CENTERING SPRING 1	02
	633201	CENTERING SPRING 2	02
07	630801	COLLET NUT	02
08	900502	COLLET SPRING PLUNGER*	02



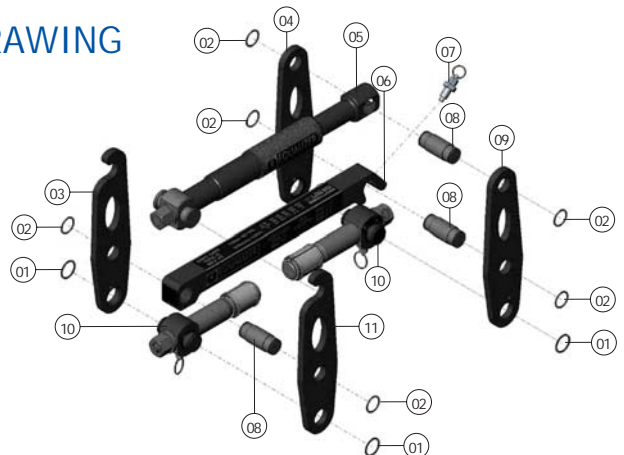
ACTUATOR PARTS LIST AND EXPLODED DRAWING

ITEM	PART No.	DESCRIPTION	QUANTITY
01	632201	ACTUATOR BOLT	01
02	632301	THRUST BEARING*	01
03	632501	OPEN ACTUATOR UNION	01
04	401301	ACTUATOR RETAINING RING*	01
05	632701	ACTUATOR SLEEVE	01
06	632801	FOAM GRIP	01
07	632901	CLOSED ACTUATOR UNION	01
08	633001	ACTUATOR RETAINING BOLT	01



ZG11™ PARTS LIST AND EXPLODED DRAWING

ITEM	PART No.	DESCRIPTION	QUANTITY
01	631601	COLLET RETAINING RING*	04
02	631501	CANTILEVER RETAINING RING*	06
03	631401	OPEN LEG R/H	01
04	631901	CLOSED LEG R/H	01
05		SEE ACTUATOR PARTS LIST	
06	632101	CANTILEVER	01
07	632001	CANTILEVER PLUNGER	01
08	631701	CANTILEVER PIN	03
09	631801	CLOSED LEG L/H	01
10		SEE COLLET HEAD PARTS LIST	
11	631301	OPEN LEG L/H	01



* Items are supplied in Spares Kit Part No: 636060-01