



FC10TE

HYDRAULIC FLANGE
CLOSING TOOL

MAXI KIT

CLOSING FORCE: 10 T (100 kN) per tool
 CLOSING DISTANCE: From 600mm (23.5") to 0

TOOL WEIGHT = 11Kg (24.25lbs)

KIT COMPONENTS

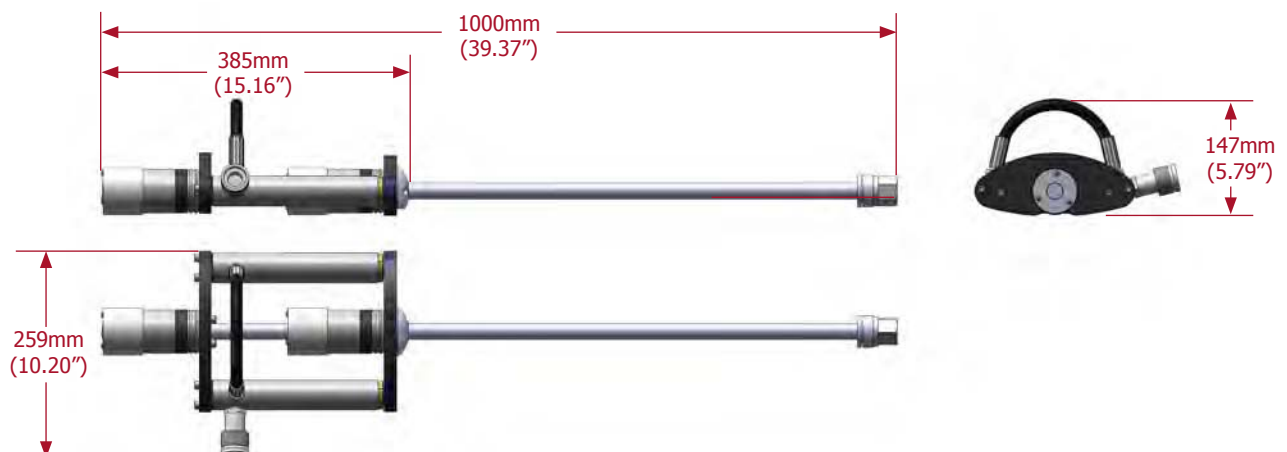
- 2 x FC10TE Tool
- 4 x 10,000 psi (700 bar) 5T Hydraulic Cylinders
- 2 x 10,000 psi (700 bar) Hydraulic Hose
- 1 x 10,000 psi (700 bar) HP350D Hydraulic Hand Pump
- 1 x Instruction Manual
- 1 x Carry Case with Foam Inserts
- Product Code: FC10TEMAX



WEIGHTS AND DIMENSIONS

TOOL WEIGHT = 11kg (24.25 lbs)
 GROSS KIT WEIGHT = 36.5 kg (51.80 lbs)

Carry-Case Dimensions: 890 x 570 x 165 mm (35.04" x 22.44" x 6.50")



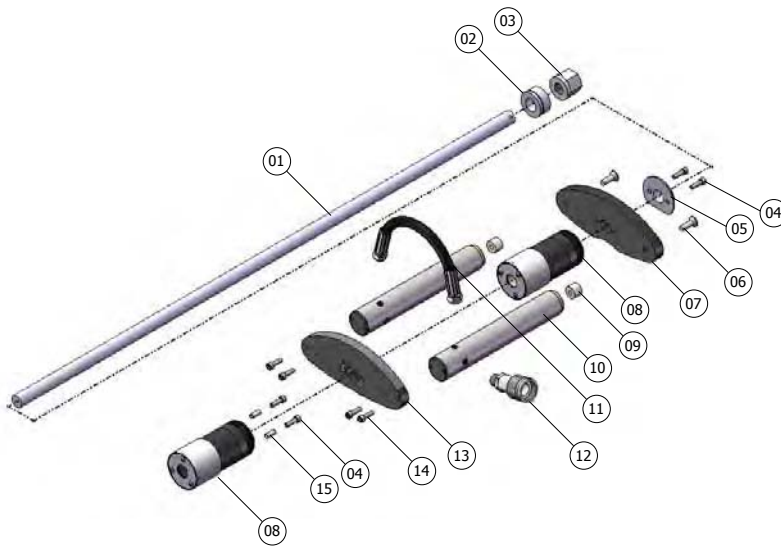


RANGE OF APPLICATION

The FC10TE is applicable to all flanges with with a bolt hole diameter of 25.4mm (1") or greater. This includes ANSI, DIN, SPO, ASME, API, and BS flanges.

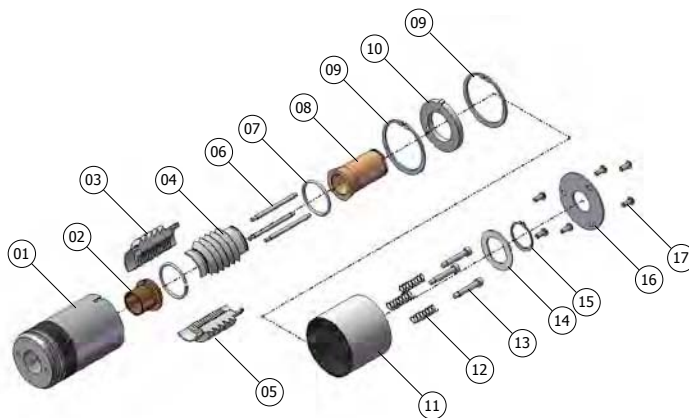
for a detailed range of application please refer to the FCT10TE instruction Manual.

TOOL PARTS LIST AND EXPLODED DRAWING



ITEM	PART NO.	DESCRIPTION	QUANTITY
01	752801	PULL ROD	1
02	752901	ROD WASHER	1
03	640901	COLLET NUT	1
04	752101	NUT RETAINING SCREW	4
05	752701	BALL WASHER	1
06	752301	CYLINDER NOSE SCREW	2
07	750101	FRONT PLATE	1
08	753501	RATCHET NUT (SEE BELOW)	2
09	752401	CYLINDER NOSE ADAPTOR	2
10	752501	HYDRAULIC CYLINDER	2
11	752601	COUPLING HOSE	1
12	300901	FEMALE HALF COUPLER	1
13	750201	REAR PLATE	1
14	752201	CYLINDER RETAINING SCREW	4
15	753001	NUT RETAINING SLEEVE	2

RATCHET NUT PARTS LIST AND EXPLODED DRAWING



ITEM	PART NO.	DESCRIPTION	QUANTITY
01	751001	NUT BODY	1
02	750401	CAGE FRONT RING	1
03	750601	COLLET SEGMENT 1	1
04	750701	COLLET SEGMENT 2	1
05	750801	COLLET SEGMENT 3	1
06	750501	CAGE SIDE BAR	3
07	751501	COLLET RETAINING SPRING	2
08	750301	CAGE REAR RING	1
09	751901	REACTION CIRCLIP	2
10	751301	REACTION PLATE	1
11	751101	NUT CAP	1
12	751601	NUT CAP RETURN SPRING	3
13	751701	NUT CAP RETURN SCREW	3
14	751201	LOCK WASHER	1
15	752001	CAGE CIRCLIP	1
16	751401	END CAP	1
17	751801	LOCK SCREW	6